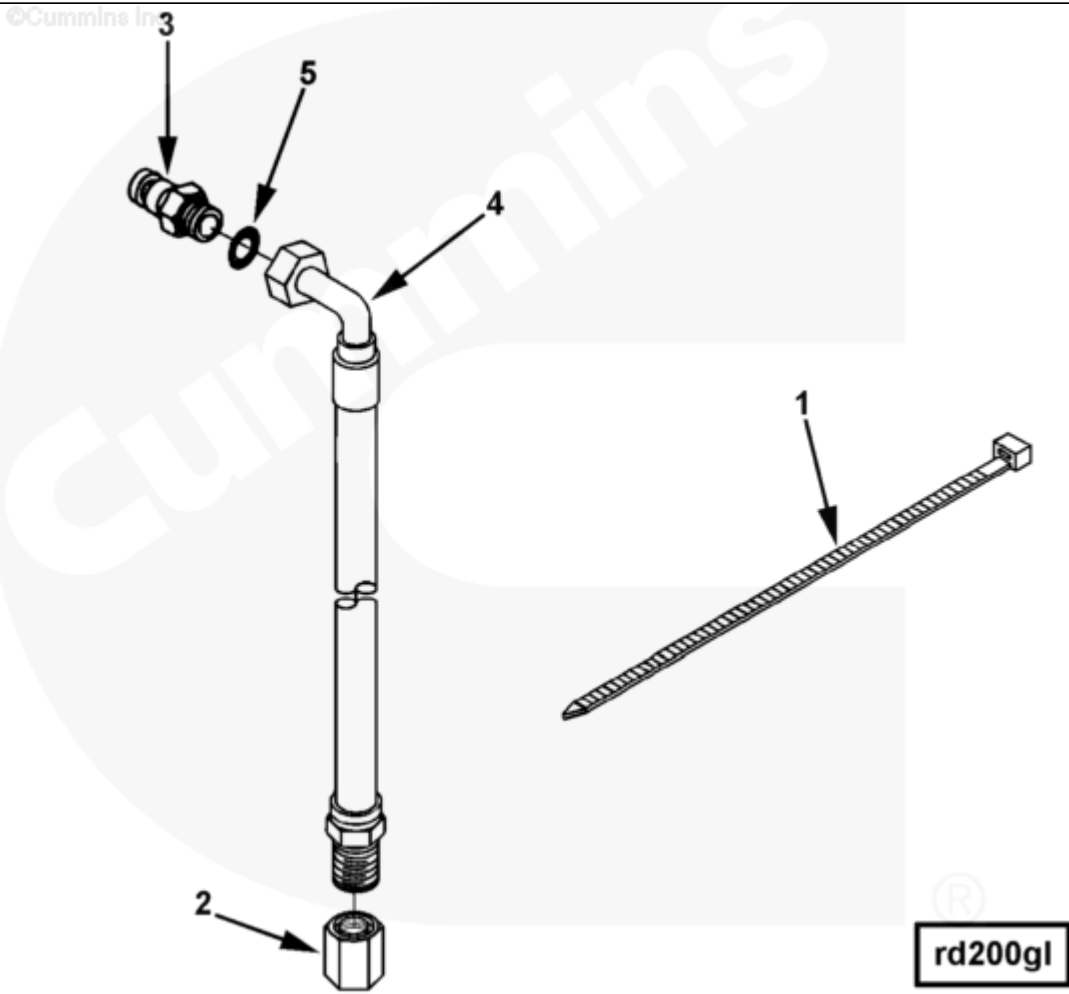




Parts Catalog - Option Detail

Electronic Parts Catalog - Option Detail				
Option	Group	Graphic	Film Card	Date
RD2014-02	07.04	rd200gl	II	16-FEB-02
Engines	ISM CM570, ISM CM570/870, ISM CM875, ISM CM876, ISM CM876 E, ISM11 CM876 M103, ISM11 CM876 SN, M11 CELECT, M11 CELECT PLUS, M11 MECHANICAL, QSM11 CM570, QSM11 CM876			



SMALL | MEDIUM | LARGE

Cart	Ref No	Part Number	Part Description	Required	Remarks
View My Cart					
		RD2014-02	Remote Oil Drain		
					Remote Oil Drain
					Supply Method: Mounted in
					Marine Gear Housing

					Drain Adapter Thd Sizes: JIC
					3/4-16 UNF-2A to M22 x 1.5
					Marine Gear Housing Material:
					Cast Aluminum Alloy
					Remote Drain Location: Lower
					Back of Rear Half Housing
<input type="checkbox"/>	1	3062329	Wire Tie Clamp	1	
<input type="checkbox"/>	2	3925676	Pipe Cap	1	
<input type="checkbox"/>	3	4078464	Male Connector	1	
<input type="checkbox"/>	4	4078756	Flexible Hose	1	
<input type="checkbox"/>	5	4078761	Sealing Washer	1	

© 2019 Cummins Inc., Box 3005, Columbus, IN 47202-3005 U.S.A.
Terms of Use and Disclaimers | Recommended System Requirements
Need Assistance? Please click on the Contact Us button in the top right corner of any page.